

Quantum 600

with ReNu SU Technology



Watson-Marlow Pumps

FEATURES AND BENEFITS

- Flow rates from 5.33 ml/min to 20 L/min
- 4000:1 speed control range from 0.1 to 400rpm in 0.1rpm increments
- Patented ReNu SU cartridge technology
- Colour display and intuitive menu structures provide visual status indication and minimal key presses
- Keypad incorporates 3-level security PIN protection
- Paint free IP66/NEMA 12/13 pump housing
- Dual voltage, 115V/230V 50/60Hz

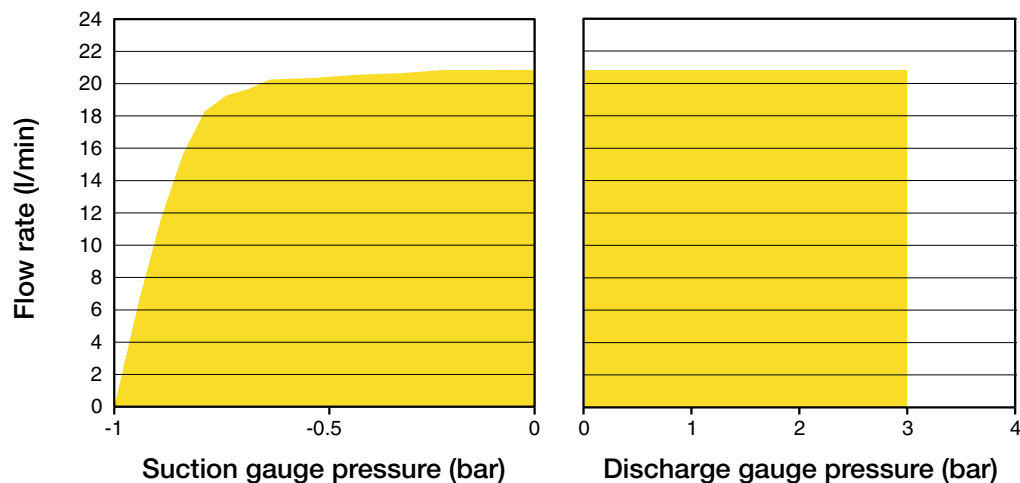


Watson-Marlow... Innovation in Full Flow

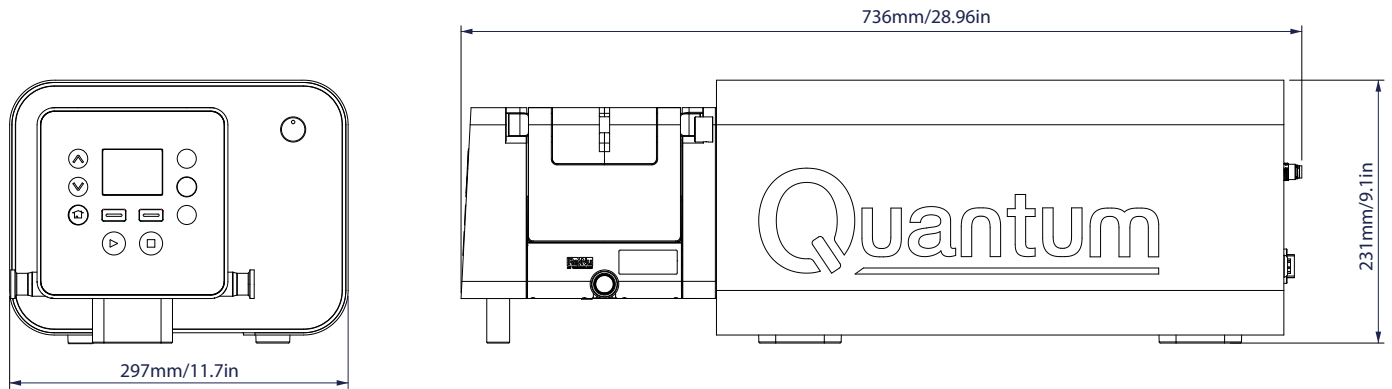
TECHNICAL DATA

Pump drives
Manual control
Intuitive keypad and colour display
Choice of flow rate or speed display
Full calibration with choice of flow units
Remote control
Configurable Start/Stop, leak detector input (via contact closure or 5V TTL or 24V industrial logic)
Direction change and auto/manual toggle input (via contact closure or 5V TTL or 24V industrial logic)
Remote operation of MemoDose (foot/hand-switch or logic input)
Four configurable digital status outputs through 24V, 30W relays
Analogue speed control
Fully configurable inputs; 0-10V or 4-20mA
Analogue outputs; 0-10V, 4-20mA
Tacho frequency output; 0 to 1067 Hz, 0 to 400RPM
Security
3-level Security PIN lock

PERFORMANCE



DIMENSIONS



TECHNICAL SPECIFICATION

	Universal
Ingress rating	IP66 / NEMA 12/13
Enclosure	Water/dustproof
Humidity (non-condensing)	80% up to 31C (88F) decreasing linearly to 50% at 40C (104F)
Temperature	5C to 30C (41F to 86F)
Pump weight	38kg / 83.8 lb
Speed control ratio	4000:1
Noise	<70 dB(A)
Standard	CE, cETLus, IEC61010-1
Power supply	100-120V/200-240V 1ph 50/60Hz 650VA
I/O connectors	3 x M12 chassis male 8-way 1 x M12 chassis female 8-way
Max operating pressure and flow	Refer to cartridge

MATERIALS OF CONSTRUCTION

Component	Material
Pump drive body/cover	Aluminium (anodised)
Pumphead Casework	Aluminium (anodised)
Guard track	Aluminium (anodised)
Rollers	Stainless steel 316
HMI/keypad overlay	Polyester film
Case seals	Silicone
Drive body feet	Silicone
ReNu Single Use cartridge	Refer to cartridge datasheet
Head foot	Aluminium

ORDER INFORMATION



Plug options*

- U: UK mains plug
- E: EU mains plug
- A: American mains plug
- K: Australia mains plug
- R: Argentina mains plug
- C: Swiss mains plug
- D: India/South Africa mains plug

*IP66 / NEMA 12/13 pumps are supplied with a 2.5m/8.2ft lead attached to an American, Australia, Argentina, Swiss or South Africa mains plug

NOTE: Each pump is supplied with 1 bolt down bracket.

ReNu SU Technology Product Codes	
Description	Partcode
ReNu SU 600 20/3P	33-1061-000001
ReNu SU CONNECTION KIT, BRAIDED PLATINUM-CURED SILICONE HOSE, 3/4" TC E/E, 0.5 MTR	33-1069-000001
ReNu SU CONNECTION KIT, BRAIDED PLATINUM-CURED SILICONE HOSE, 3/4" TC E/E, 1 MTR	33-1069-000002
ReNu SU CONNECTION KIT, BRAIDED PLATINUM-CURED SILICONE HOSE, 3/4" TC E/E, 3 MTR	33-1069-000003

All flow rates shown were obtained pumping water at 20C (68F) with zero suction and delivery heads. Watson-Marlow, Pumpsil, PureWeld XL, Bioprene and Marprene are trademarks of Watson-Marlow Limited. Disclaimer: The information contained in this document is believed to be correct but Watson-Marlow Limited accepts no liability for any errors it contains, and reserves the right to alter specifications without notice. GORE and STA-PURE are trademarks of W. L. Gore & Associates. Please state the product code when ordering pumps and tubing.

**WATSON
MARLOW
Pumps**

wmftg.com
info@wmftg.com
+44 (0) 1326 370370